

Description

XSVS is a patented cULus listed panelboard with an architecture compatible with all Molded Case and Miniature Circuit breakers on the market. The system is touch safe and designed to insulate electrical components and isolate electrical arcs from service personnel.

Typical Applications

Power distribution applications where UL67 panelboards are required by the National Electrical Code (NEC). Including industrial facilities, data centers, manufacturing facilities, laboratories, health care facilities, and warehouses.

Ordering Information

Type No.	
XSVS	Power Distribution System
Type	
I	UL67 & UL508 Interior Only
EE	UL67 & UL508 Enclosed Assembly - European IEC Style Breakers
EU	UL67 & UL508 Enclosed Assembly - US NEMA Style Breakers
Ampacity	
1	150 Amp
2	225 Amp
Main Lug Incoming	
6M	Single Mechanical Lugs
3M	Parallel Mechanical Lugs
3C	Parallel Compression Lugs
Configuration	
S	Single Column
D	Double Column
Bus Bar	
2	A and B Phase
3	A, B and C Phase
Circuits	
12	Circuits
24	Circuits
36	Circuits
42	Circuits
72	Circuits
Certification	
C	UL508
P	UL67
XSVS EU 2 6M S 2 42 C ordering example	
* 150A assembly single column 12, 24, 36 circuits only	

Certifications

UL Certification	E493713 UL67, E474038 UL 508 & CSA22.2
IEC Certification	IEC60529 IP20
Touchsafe Design	Personnel have no exposure to energized components



XSVS

Technical Data

Electrical Specification

System Ampacity	150A & 225A
Branch Circuit Ampacity	32A, 63A, 100A
Voltage Rating	120, 240, 277, 480, 575, 600 VAC 24 VDC (UL 508 only)
Voltage Type	Delta or Wye / 1ph or 3ph / 2, 3, or 4 wire
Withstand	10kA (higher rating available upon request)
Neutral	100% or 200%

Assembly Configuration

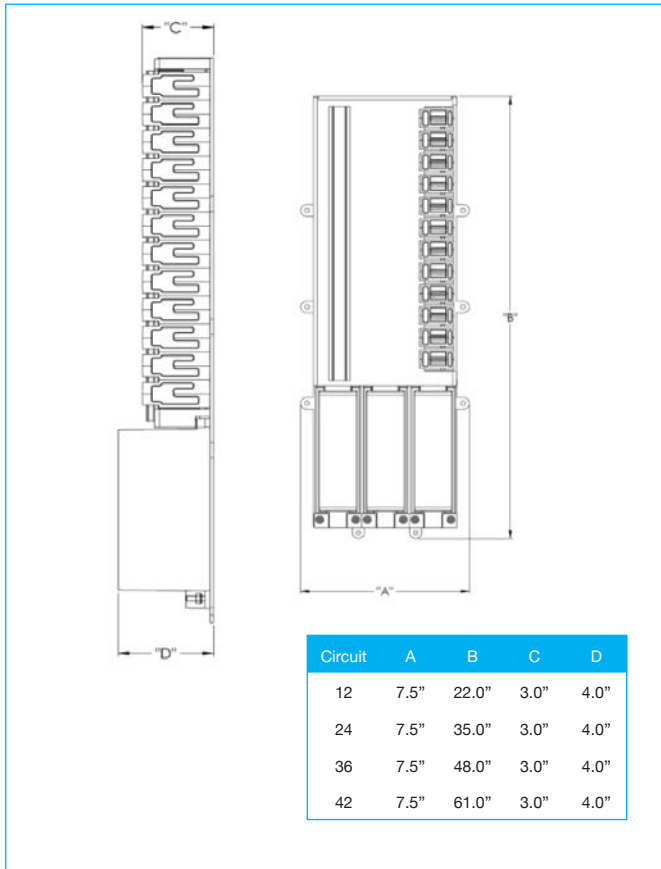
Enclosure	UL Type 50
Interior Only	Available as a single unit
Main Incoming	Main Lug or Main Breaker
Single Cable	#4-4/0 Compression Lug
Single Cable	#4-4/0 Crimp Lug
Parallel Cable	#8-1/0 Compression Lug
Parallel Cable	#8-1/0 Crimp Lug

Branch Circuit Configurations

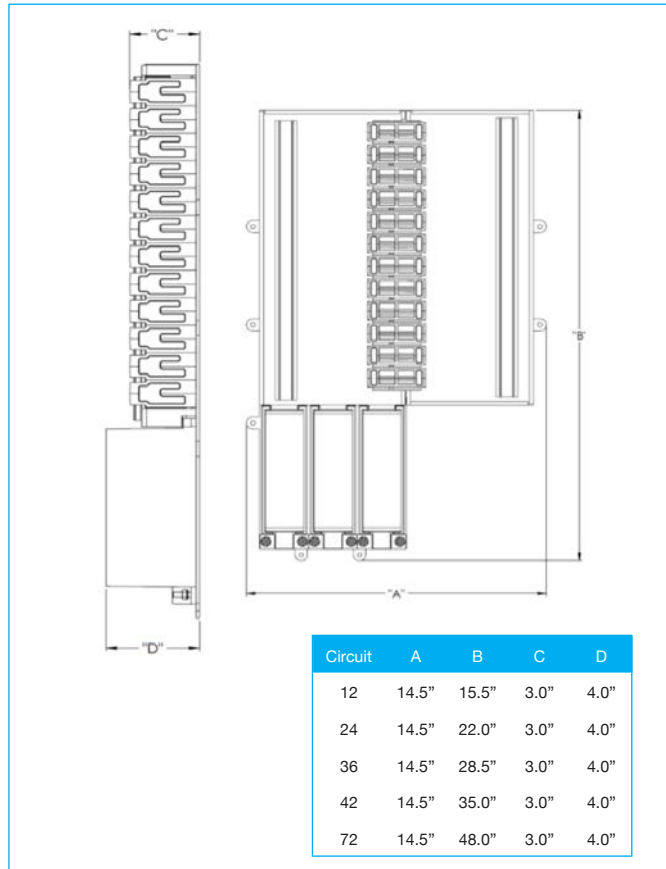
Branch Circuits	Single or Double Column
Circuits	12, 24, 36, 42, 72

Interior Dimensions

Single Column Assembly

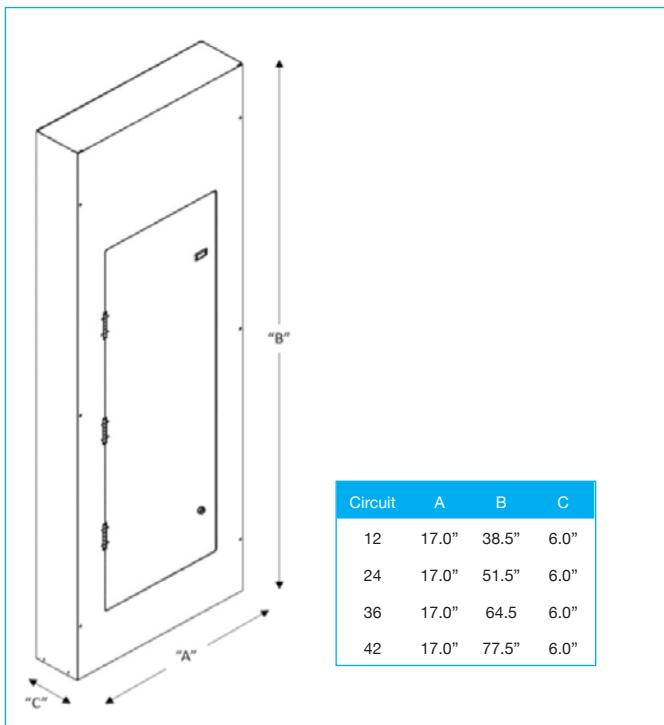


Double Column Assembly

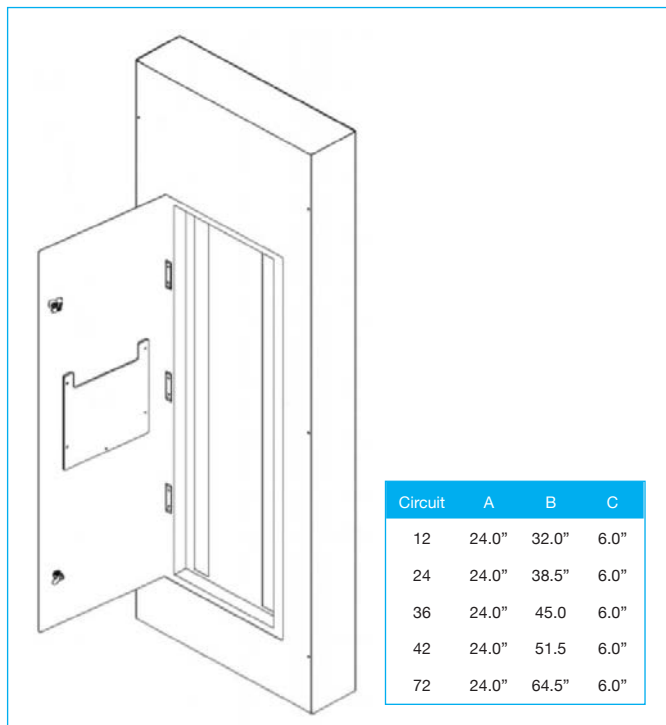


Enclosure Dimensions

Single Column Assembly

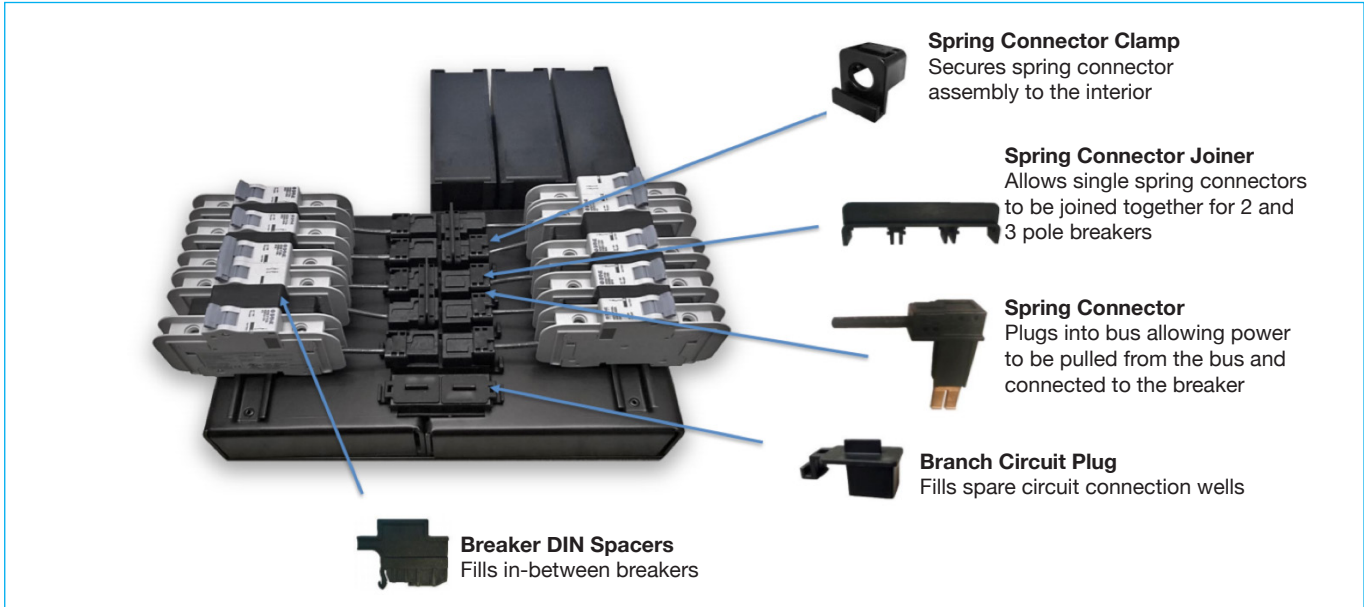


Double Column Assembly



XSVS UL67 Assembly

The XSVS Power Distribution system is approved for applications where panelboards are required by the National Electrical Code (NEC) and NFPA 70. The assemblies comply with all certification requirements covering panelboards applied in control and protection of electrical lighting and appliance branch circuits, power circuits, and feeder distribution.



Accessories

	XSVSSC32A	32A Breaker Spring Connector		XSVSSCJ2P	2 Pole Spring Connector Clamp	
	XSVSSC63A	63A Breaker Spring Connector			XSVSSCJ3P	3 Pole Spring Connector Clamp
	XSVSSC100A	100A Breaker Spring Connector				
	XSVSMIC	Incoming Cover		XSVSBCPLG	Branch Circuit Plug	
	XSVSDRSP	DIN Rail Breaker Spacer		XSVSESTP	DIN Rail End Stop	
	XSVSCLSP	Incoming Crimp Lug Spacer		XSVSSCC	Spring Connector Clamp	
	XSVSCCS	Incoming Cable Clamp for Single Wire				
	XSVSCCD	Incoming Cable Clamp for Parallel Wires				

Thermal-Magnetic Miniature Circuit Breaker 4230-T...

Description

Single pole and multi-pole thermal-magnetic miniature circuit breakers (MCBs) in accordance with UL 489. A positively trip-free snap action mechanism ensures reliable switching behavior.

Ordering Information

Type No.

4230 single & multipole thermal-magnetic high performance circuit breaker

Mounting

T1 rail mounting

Numbr of poles

- 1 single pole protected
- 2 double pole protected
- 3 three pole protected

Accessories

0 without

Terminals

K0 screw terminals

Characteristic curve

- B thermal 1.05 - 1.30* I_n; magnetic 3.2 - 4.8* I_n
- C thermal 1.05 - 1.30* I_n; magnetic 6.4 - 9.6* I_n
- D thermal 1.05 - 1.30* I_n; magnetic 9.6 - 14.4* I_n

Approvals

- E EN 60947-2 (TÜV) / UL 1077
- U UL 489 (only 1, 2 & 3 pole)

Current Ratings

- 1, 2, 3, 4, 5, 6, 7, 8, 10, 12, 13, 15, 16, 20, 25, 30, 32, 35, 40, 50, 60, 63 A

4230 - T1 - 1 - 0 - K0 C E - 10A ordering example



Technical Data

Voltage rating and current rating range

to UL 489

- 1-pole: AC 120 V; 1... 63 A
- 2, 3-pole: AC 240 V, 1... 63 A
- 1-pole: AC 277 V, 1... 63 A
- 2, 3-pole: AC 480 V, 1...32 A
- 1-pole: DC 60 V, 1... 63A
- 2, 3-pole: DC 125 V, 1... 63 A

Endurance

- Mechanically 20,000 cycles
- Electrically 6,000 cycles

Time Current Characteristics

